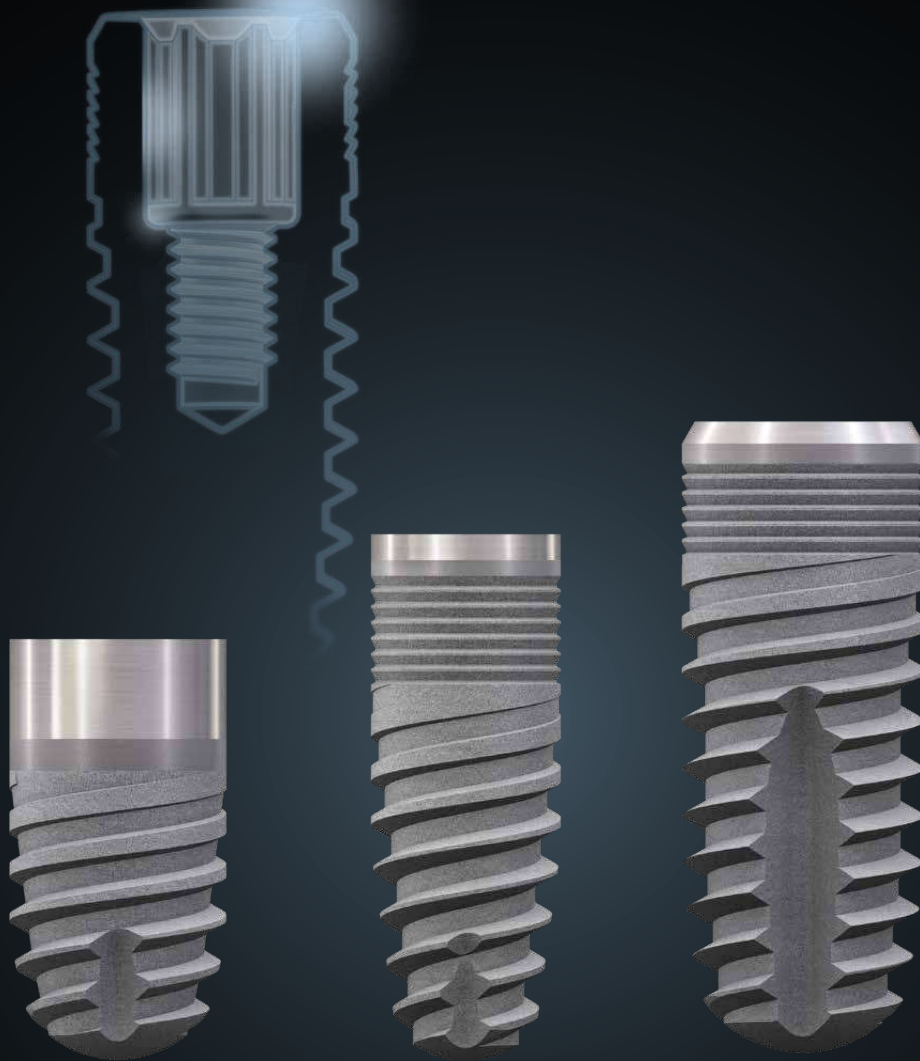
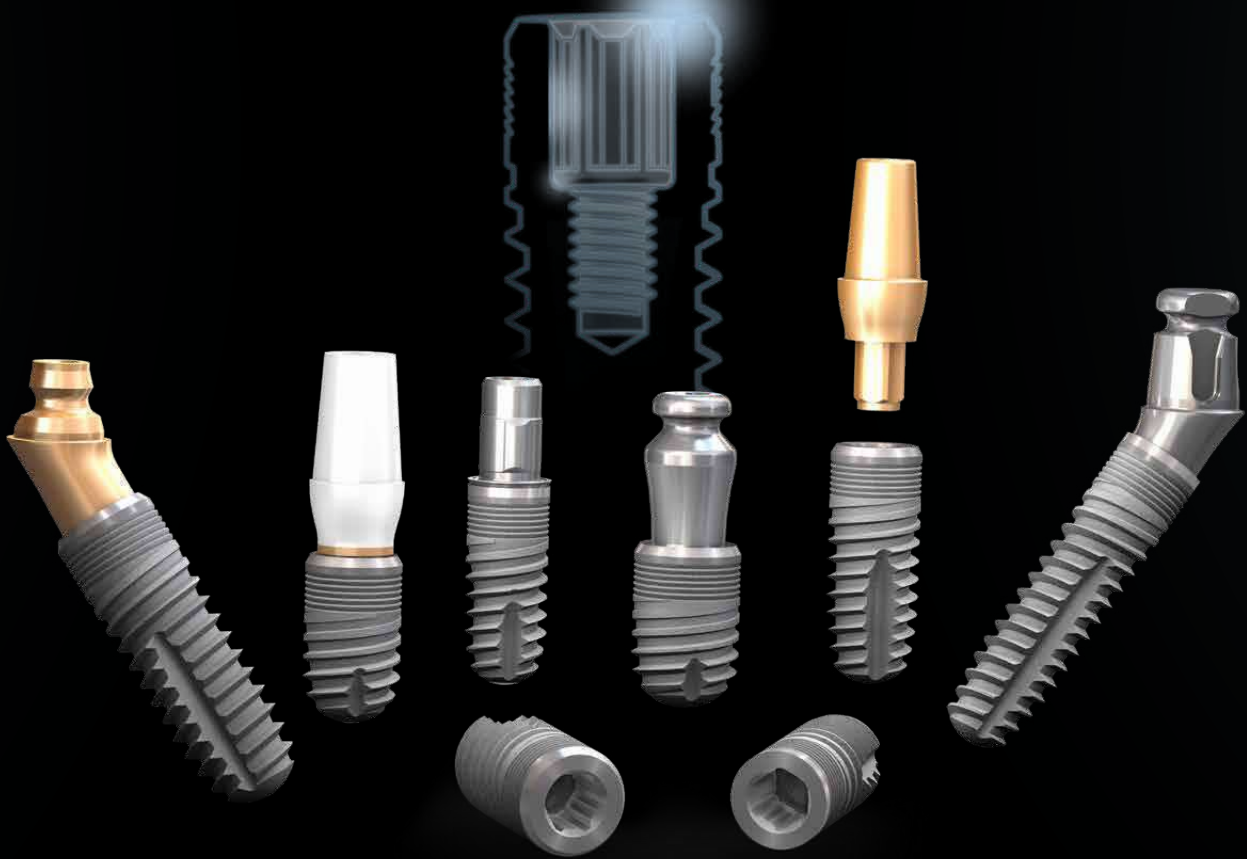


SKY

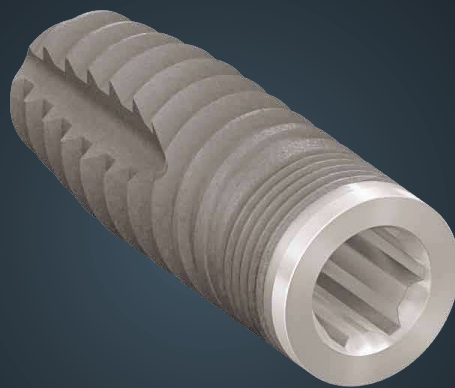
Implant system





SKY[®]

IMPLANT SYSTEM



*prosthodontically oriented
primary stability
tried and tested*

The SKY implant system has been tried and tested millions of times over. It was launched in 2002 and has become the standard in immediate, early or late implantology due to its high primary stability in all bone qualities. The long implant structure connection with Torx facilitates prosthetic restoration. The prosthetics portfolio is clear and offers a suitable solution for every indication.

SKY

Testimonials



Prof. Hakan Özyuvaci
Dental Forum, Istanbul,
Turkey

"I have used the SKY implant system from bredent medical since 2011. I have placed many bredent blueSKY and copaSKY ultrashort implants mainly using the fast and fixed full arch therapy because I always have good haptic feedback during the insertion of the implant. The primary stability of the implant is very good, abutment implant connection is very precise and the fast and fixed modalities decreased our advanced surgery application ratio on our clinical cases. We can follow KISS (keep it safe and simple) philosophy by the system.

In my clinic in Istanbul, 99% of the implants are immediately inserted after tooth-teeth extraction. The immediate implants are restored immediately because they almost always achieve high primary stability. This workflow increases patient's treatment acceptance and satisfaction. In addition, the SKY implants are produced to the highest quality standard in Germany and have many certifications, e.g. The Clean Implant certificate. I have peace of mind when I use the bredent implant system."



Dr. Maria Hardman
Oxford, England

"I first started using the Sky implant system in 2011 and utilise it for cases ranging from single implants to immediate load full arch work, following the fast and fixed protocols.

I am always impressed with the degree of primary stability that can be achieved, making immediate implantation and immediate loading much more predictable. In addition, due to the compressive thread the implant also creates a degree of bone expansion. The single prosthetic platform, with interchangeable components makes stock control easily manageable. The prosthetic connection is positive and in immediate loading cases easily located and inserted.

Having completed over 300 full arch fast and fixed cases with my dental technician, John Davies, we have found there to be a smooth restorative workflow due to the pre-planning component selection and make-up.

The fact that we are capable of delivering a predictable result to our patients time after time is very important, our greatest moments being the delivery of the immediate provisional, when the patient experiences that truly life-changing moment. A tear of joy is always well received"

“Being a periodontist, I understand the importance of achieving good mucointegration in addition to osseointegration because it is the basis of modern-day implant treatment success. I have been using the blueSKY implant from bredent medical since 2017 and I particularly love the primary stability of this implant in the aesthetic zone. In addition, the narrowSKY which is analogous to the blueSKY is particularly useful in the lateral incisor region including generally atrophied jaws. With their wide array of biocompatible prosthetic components, I am empowered to deliver restorations for different indications in harmony with the pink tissues. Scientifically well researched, engineered in Germany and clean certified, these implants restore function and aesthetics. Therefore, bredent medical continues to be my go-to brand in the foreseeable future.”



Dr. Rita Singh
Kathmandu, Nepal

- Dr. Rita Singh -

SKY

Implant-abutment connection

The benefits of the Torx connection

- The stable connection with shoulder support ensures passive fit for all types of prosthetic restorations
→ no vertical error

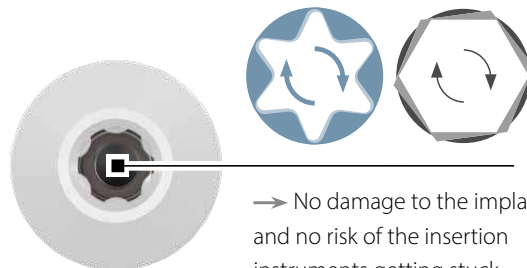


- bredent standard titanium grade 4 KV → Pure titanium has a tensile force of at least 800MPa

→ Long Torx connection ensures a stable long-term connection between implant and abutment

Torx

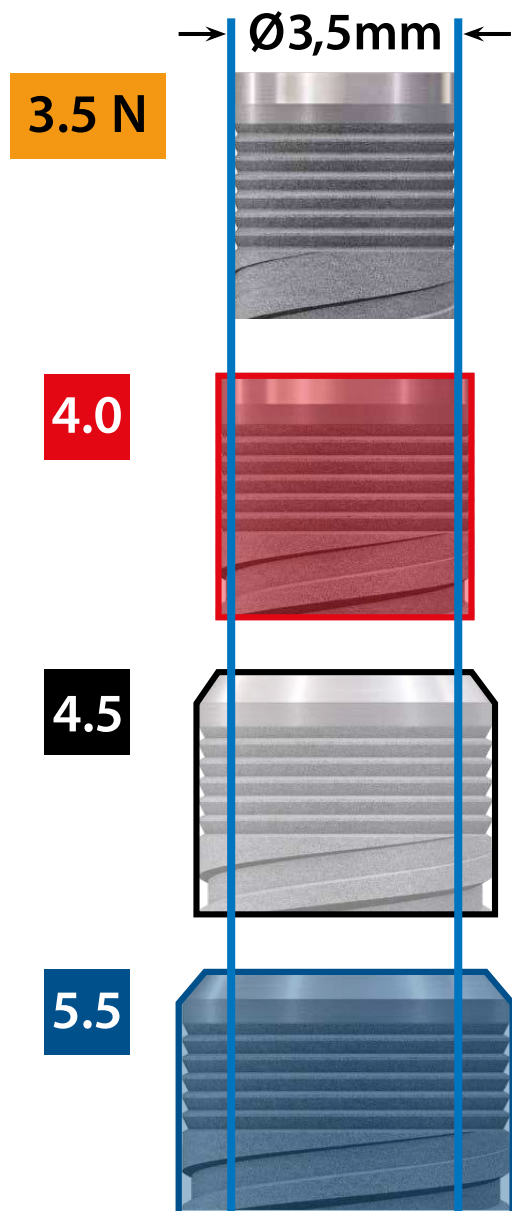
→ The gold standard for high torque insertion



→ No damage to the implant and no risk of the insertion instruments getting stuck

SKY

Mono Platform



*One connection
for all diameters*

Each abutment fits all 4 implant diameters:

- narrowSKY
The abutments have the same diameter as the implants
- blueSKY/SKY classic 4.0
abutments with platform switch
- blueSKY/SKY classic 4.5 and 5.5
abutments with platform switch and back taper

SKY

Features

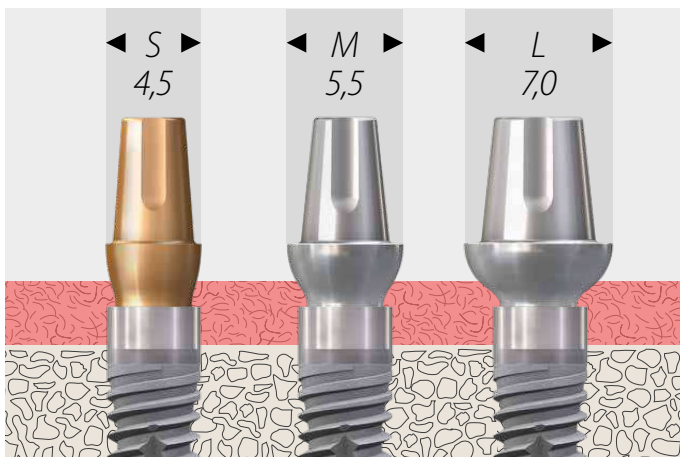
SKY esthetic line

- definitive abutment

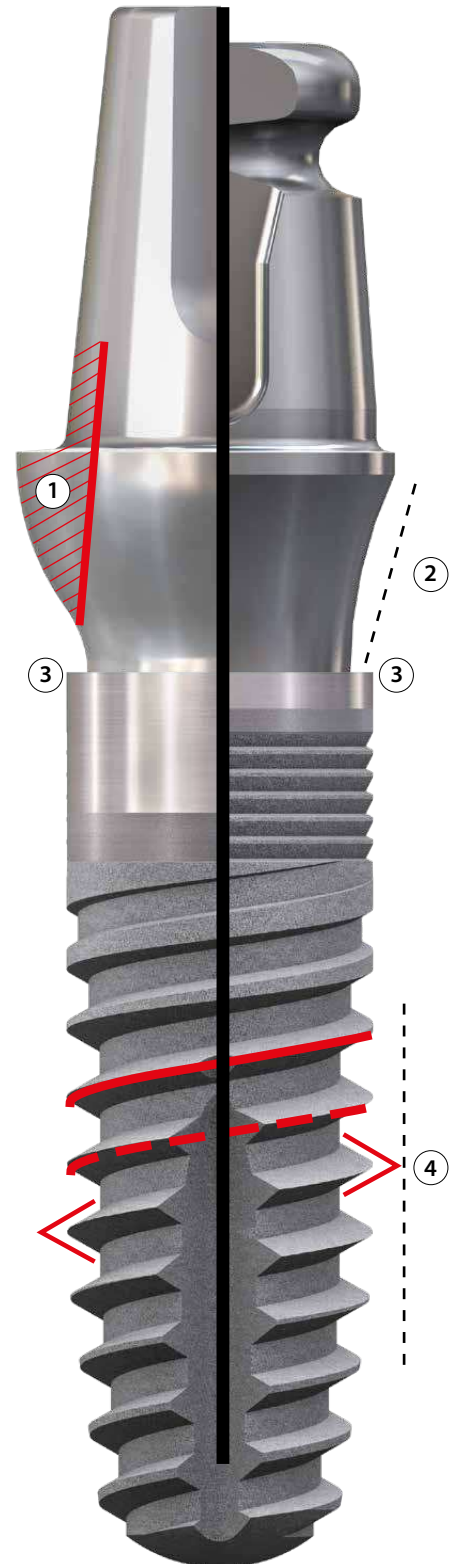
① **concave – convex**
easy to customise

③ **Platform switch**
(except narrowSKY)

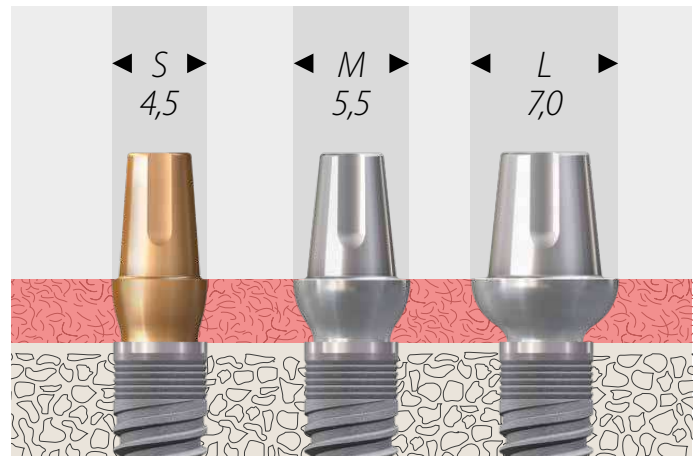
Tissue Level



SKY classic with SKY esthetic line



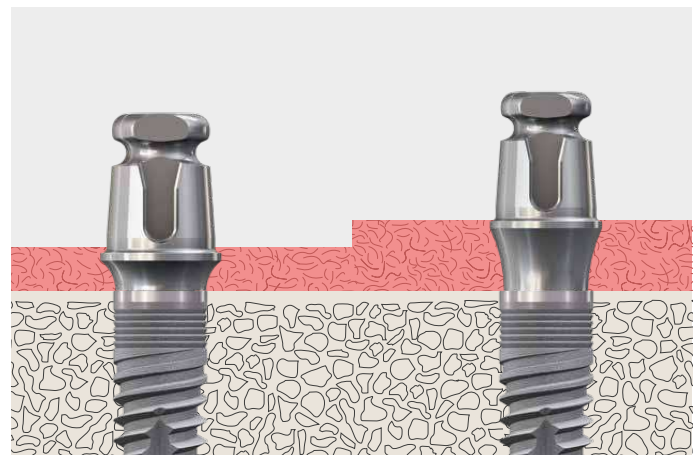
Bone Level



narrowSKY/blueSKY with SKY esthetic line

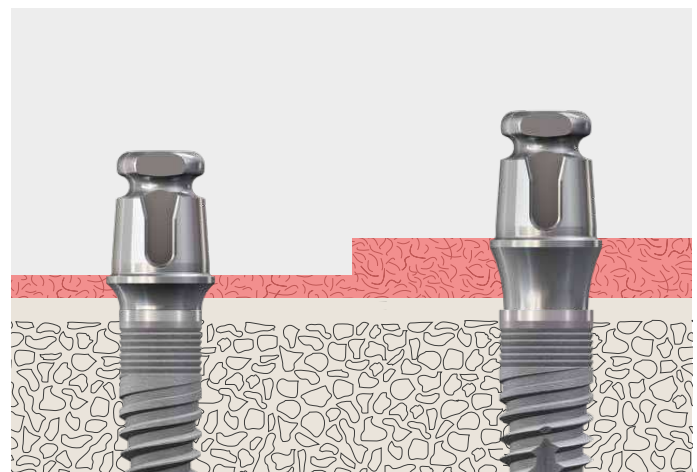
SKY exso

- Impression abutment
- definitive abutment



narrowSKY/blueSKY with SKY exso

subcrestal



narrowSKY/blueSKY with SKY exso

2 Tapered sulcus shape

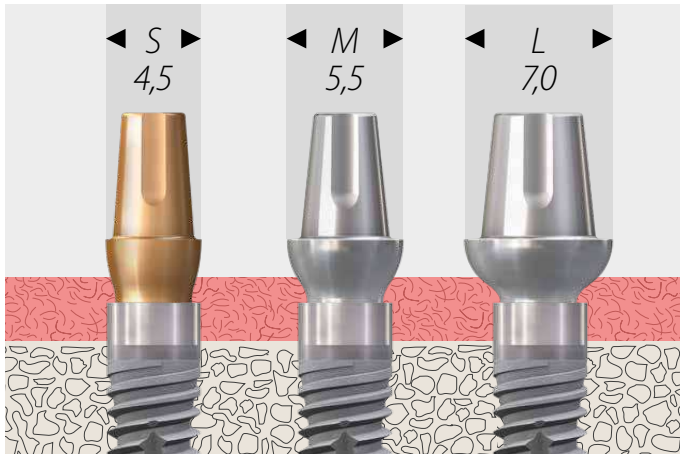
Plenty of space for soft tissue

4 High primary stability:

- cylindrical and conical shape
- Self-tapping double thread
- Compression thread
- Bone quality-oriented surgical protocol

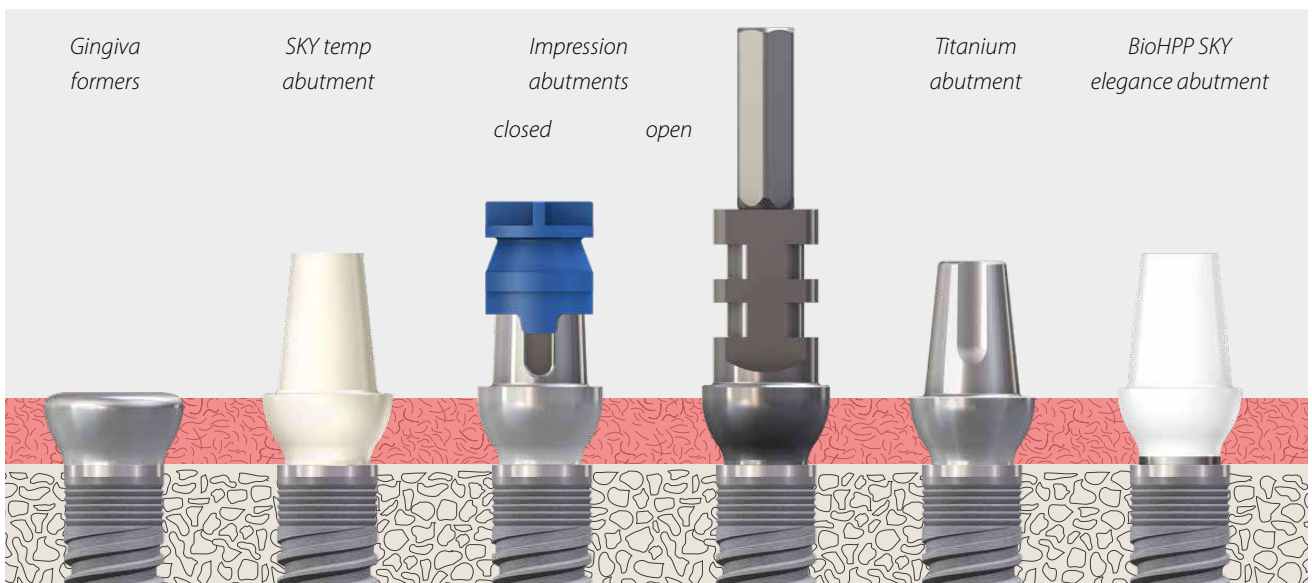
SKY

esthetic line



SKY esthetic line:

- Three diameters of abutment shoulder
 - S: 4.5 mm
 - M: 5.5 mm
 - L: 7.0 mm
- narrow Platform
 - Suitable for narrowSKY
 - Platform switch for blueSKY and SKY classic
- concave and convex abutment shape in the gingival area, ensuring optimal soft tissue attachment
- Customisable axis compensation up to 20°
- Uniform emergence profile of gingiva formers, impression abutments and abutments

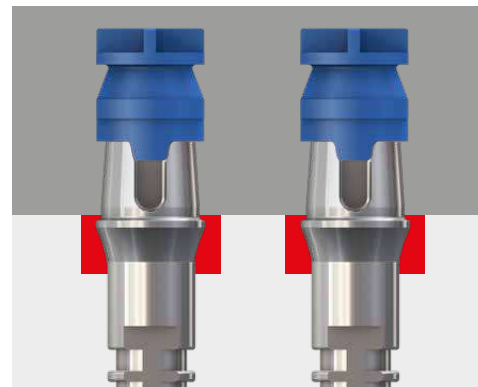
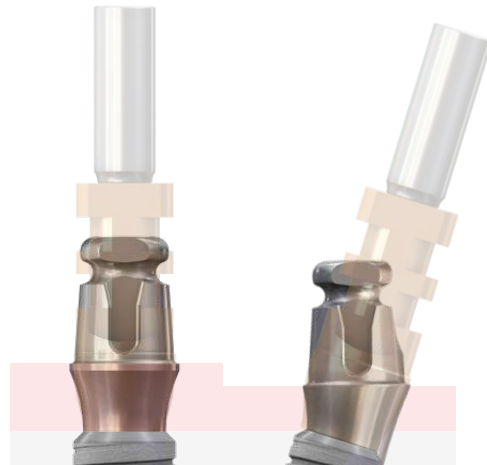


SKY

exo multi-function abutment

The SKY exso abutment ensures efficient and economical processes for cemented restorations and enables one-time therapy with no abutment change.

- Cemented crowns and bridge restorations are created easily, quickly and aesthetically on SKY exso abutments. The process is highly economical as the impression abutment is the same as the final abutment.
- Easy impression taking of angled implants at the implant level thanks to angle compensation up to 35°.
- Use of the SKY impression coping for closed trays (REF SKYnPAKA).
- Matching laboratory analogues facilitate the production of temporary and definitive tailor-made restorations.



SKY

elegance abutments

BioHPP SKY *elegance abutments*

The BioHPP SKY elegance hybrid abutment is the abutment for one-time treatment and immediate restoration:

- The soft BioHPP abutment body protects the implant against overloading.
- The titanium screw seat makes it a final abutment.

There is no need to replace the abutment, meaning that the attached soft tissue is not destroyed.



Histological analysis of BioHPP SKY elegance abutments. Detail of connective tissue accumulation after 8 weeks.

Prof. JE Maté Sánchez de Val. Murcia, Spain, Poster EAO Meeting 2016, Paris



This leaves all technologies available to you:

- Prefabricated abutments that can be customised.
- Individual abutments produced manually using the for2press process
- CAD/CAM production from SKY elegance BioHPP prefabs

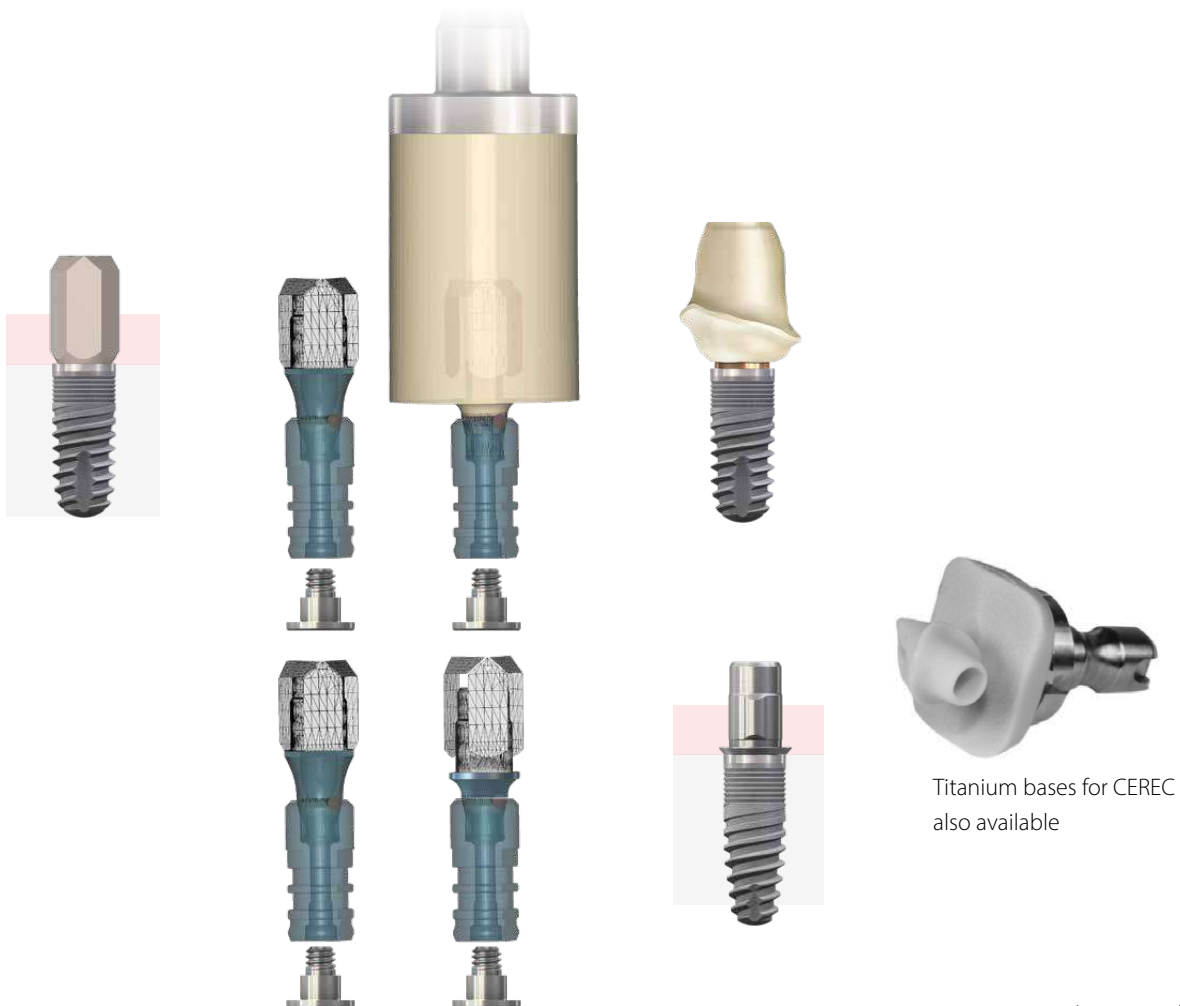
BioHPP SKY elegance abutments have been successfully used clinically since 2012. The published 5 year results show excellent bone and soft tissue stability.

CAD/CAM restorations

Our prosthetic components for SKY are ideal for the digital process landscape and offer a complete workflow for all open CAD/CAM systems in the laboratory.

For CAD/CAM processing, we offer:

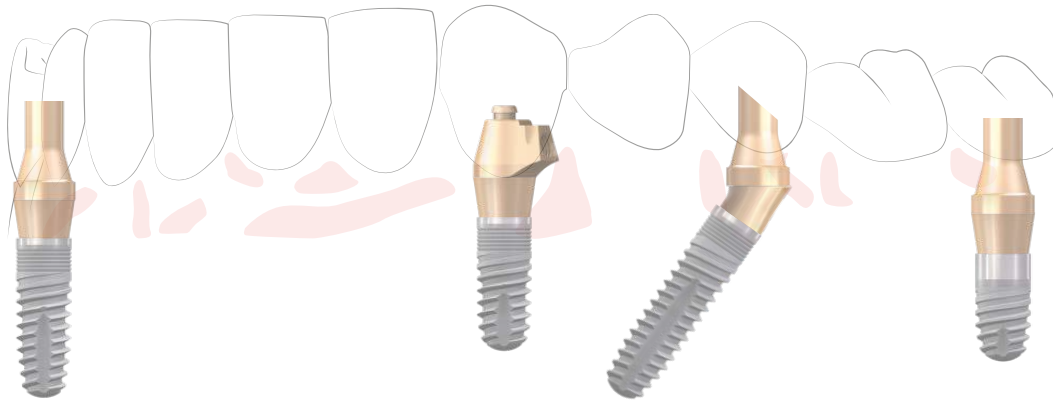
- PEEK scan abutments
- Screwed laboratory analogue for printed models
- Prefabs made of BioHPP with the original bredent medical connection geometry
- Titanium prefabs with the original bredent medical connection geometry



Titanium bases for CEREC also available

SKY

SKY fast and fixed/uni.cone abutments

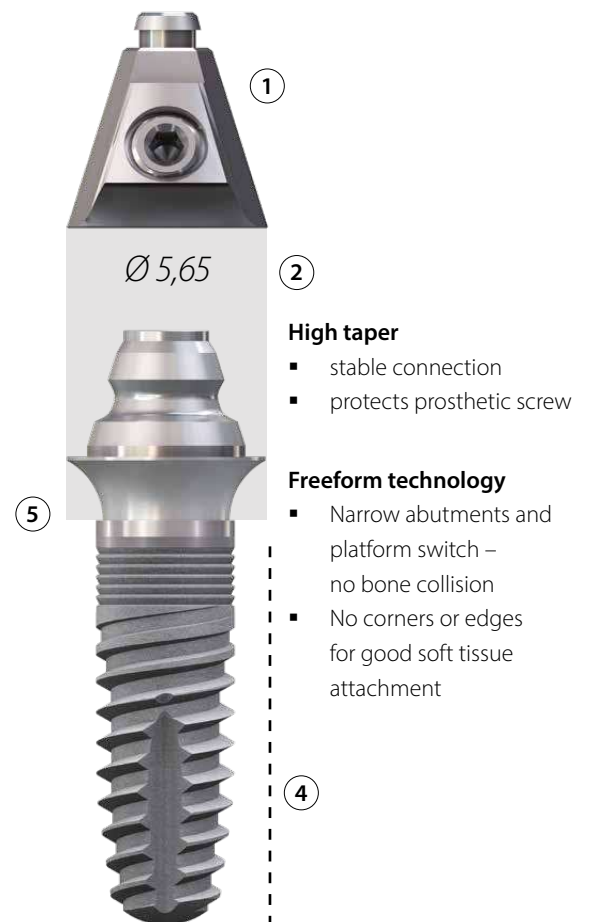


SKY fast & fixed

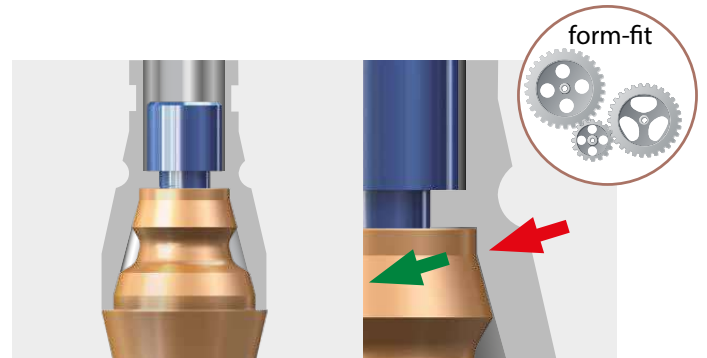
has established itself as the standard in full arch care since 2007. Thanks to continuous further development with the cooperation of our users and the integration of prosthetic products for conventional and digital restoration, immediate restoration with 4 to 6 implants is easy. The standardised protocols can be easily transferred to any practice and patients leave the practice with a smile after a few hours.



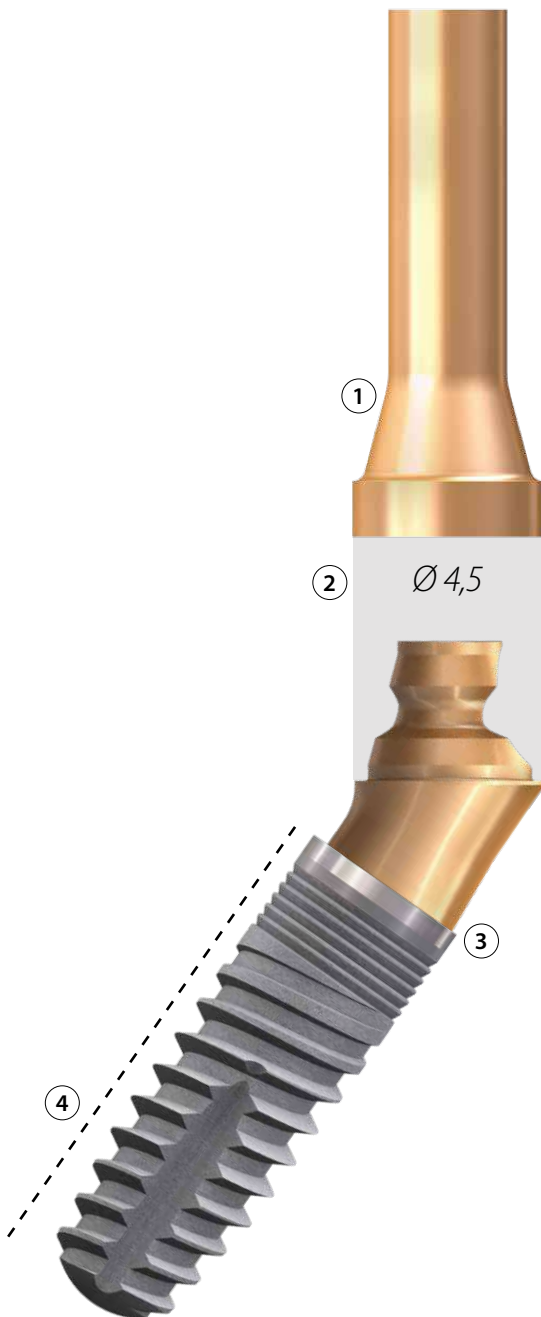
Advances in production technology have made it possible to produce increasingly narrow and elegant abutments that prevent bone collisions and provide the soft tissue with optimal conditions for attachment.



Lateral forces are transferred directly from the prosthetic to the abutment – prosthetic screw is protected



Transversal screw offers aesthetic benefits and always stays in the bridge



- ① Occlusal and unique transverse screw connection
- ② 2-platforms
- ③ Platform switch
- ④ High primary stability in all bone qualities
- ⑤ Long-term stable bone level

SKY

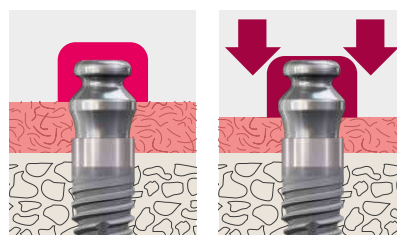
Removable

Docklocs[®]

The standard in prosthesis fixation with enhanced matrices.

- Straight abutments in 5 heights
- Angulated abutments with 18° in 3 heights
- Various retention elements made of highly resilient polymer





Thanks to resilient fixation

- very stable and very comfortable

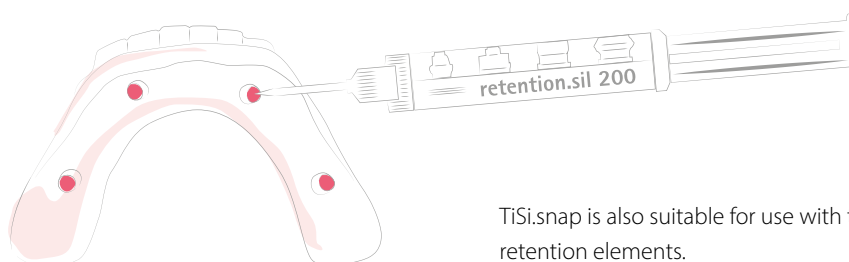
TiSi.snap

fixed and yet removable

The TiSi.snap abutments with large retention surfaces and the resilient special silicone retention. sil set new standards for the reliable and long-term fixation of prostheses. The unique resilience gives patients a natural chewing feeling.

Narrow implants in the front and short implants that support the stability of the prosthesis far posteriorly transgingivally through a wide-span support area.

The bone is preserved because little pressure is exerted on the posterior bone.



TiSi.snap is also suitable for use with the Locator® retention elements.

Who we are

The breident group is a family-run and internationally active group of companies that has been offering pioneering complete solutions for dental care of patients since 1974. Our many years of experience and innovative strength make us a safe choice for customers and a role model for the dental market. The corporate group consists of breident, breident medical, Dental Concept Systems and HELBO. They result in an interaction that is optimally coordinated with each other and enables complete system solutions in prosthetic implants. The treatments are manufactured according to the German quality standard. In short,

We are one!

What sets us apart

The breident group shapes its corporate culture according to its defined values as the basis for cooperation among employees, with customers and business partners for long-term relationships and innovative cooperations.



Patient-centric

We are one applies to patients across the board. Patient focus is anchored in the bredent group DNA. Your well-being, expectations and satisfaction are important to us. It is therefore of great importance to us that our products meet the German quality standard and are continuously further developed.

Capable

We have every faith in our expertise and corporate philosophy in order to set further milestones in dental medicine. We focus on further developing and living up to the "Made in Germany" quality standard in order to find the best solutions.

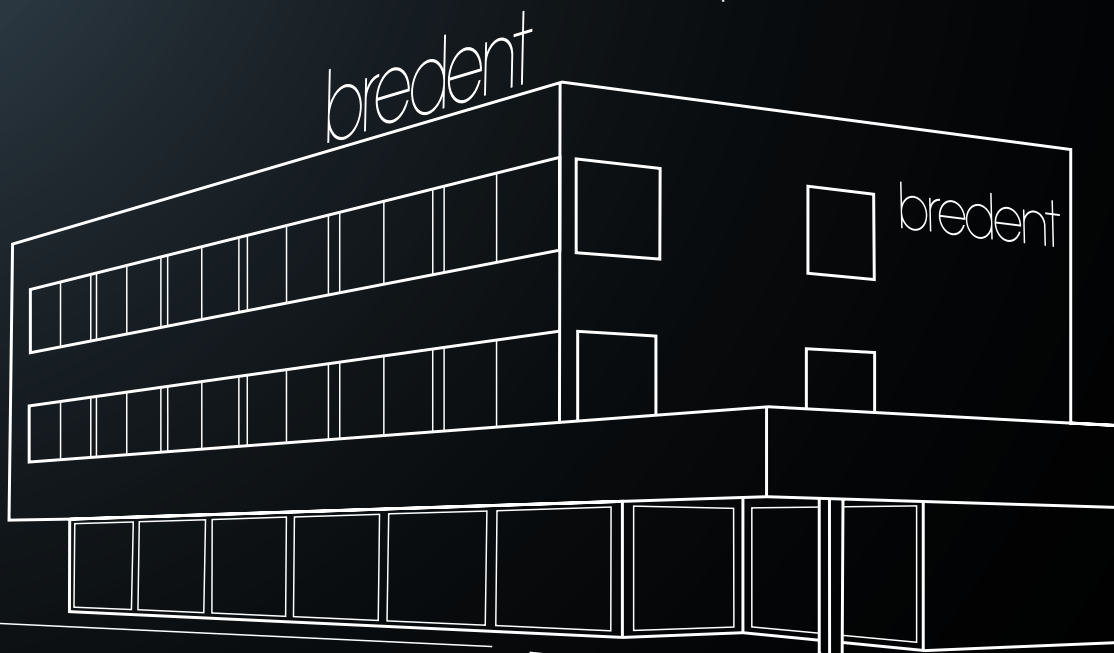
Innovative

Based on our customers' requirements, innovative teams within the bredent group work together to implement forward-looking, goal-oriented and beneficial solutions for patients.

In partnership

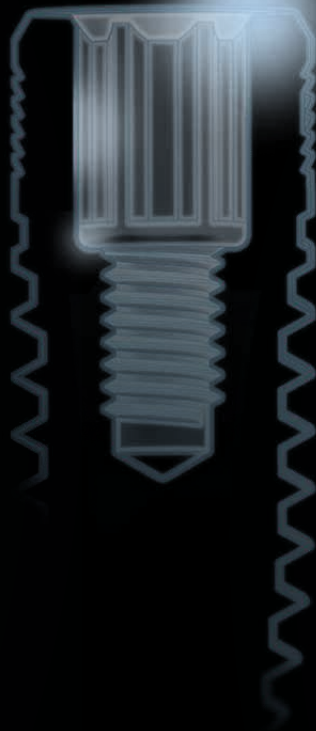
We work with our customers to develop innovative solutions to provide patients with the best possible care. We set ourselves the goal of supporting our business partners and customers on a daily basis.

Our flexible availability and support make us a safe choice. Fair and trustworthy dealings with one another is paramount.



SKY[®]

IMPLANT SYSTEM



DENTAL INNOVATIONS
SINCE 1974

bredent^{group}

bredent medical GmbH & Co. KG · Weissenhorner Str. 2 · 89250 Senden · Germany · T: +49 7309 872-440 · F: +49 7309 872-444 · www.bredent-medical.com · @: info-medical@bredent.com



009991 GB-2023 1206 Mistake and subject to change reserved